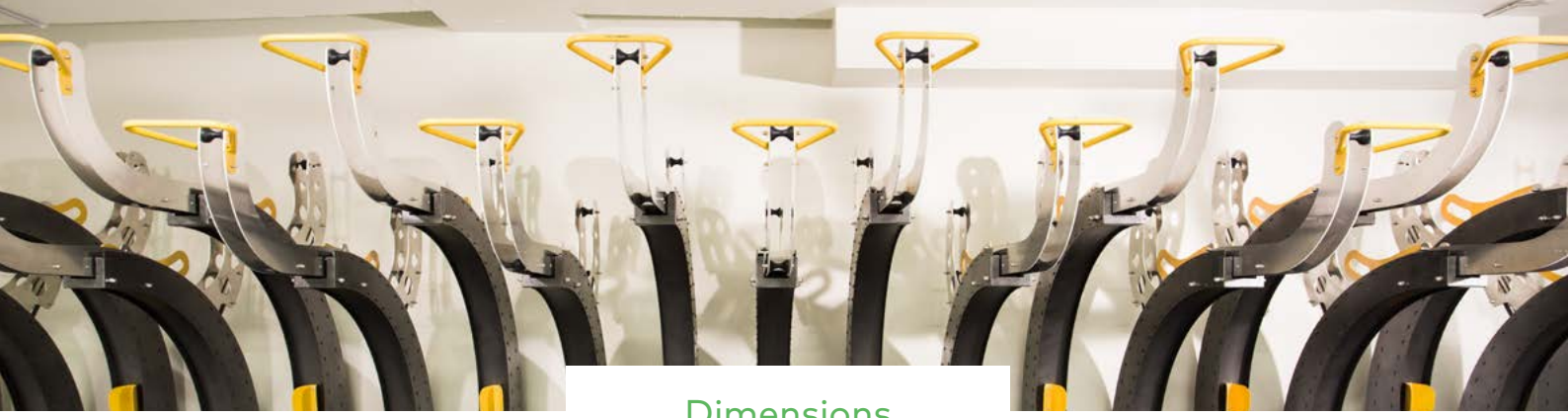


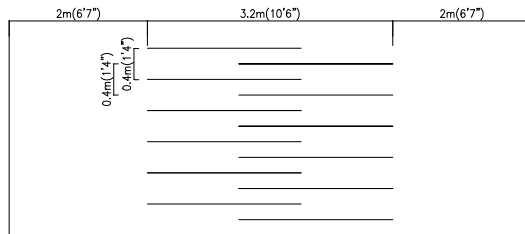
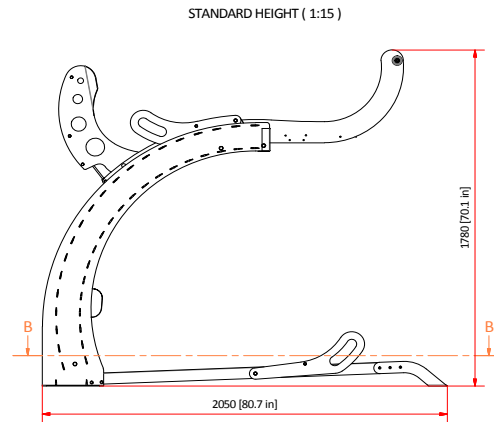
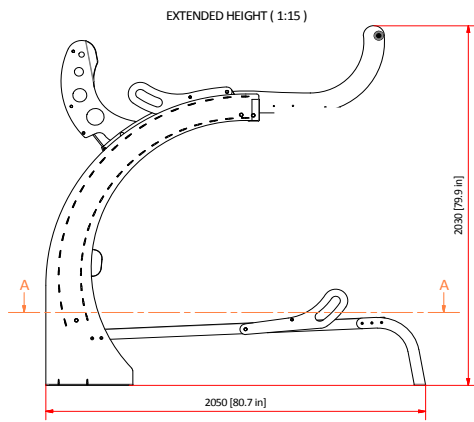
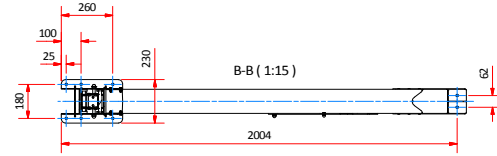
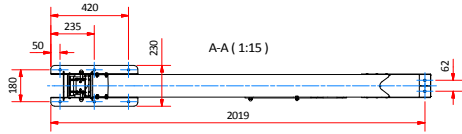


The Pushbike Arc has the whole package

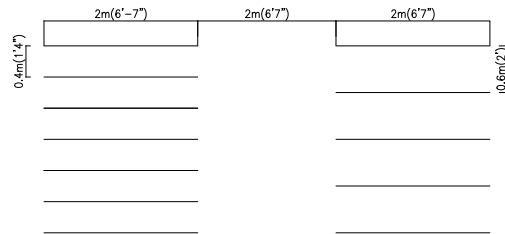
It's compact and makes an impact. With its sleek design, this high density, secure parking has revolutionised the two tier compact bike parking systems with a unique holding mechanism allowing for easy lifting.



Dimensions



Double sided double staggered layout



Single sided double staggered layout

Single sided single staggered layout

Features

Aluminium Arc, Mild steel base with aluminium arc. 10/60mm Gal sleeve anchors.

Powder coated finish

Specification

Capacity	2 bikes
Min. Ceiling	2600mm (8'6.4")
Lead Time	12 weeks

