



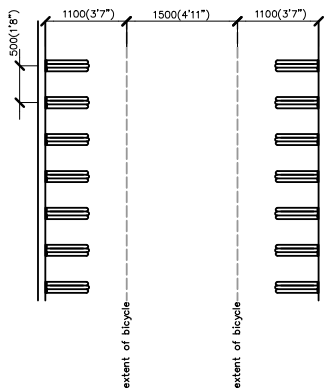
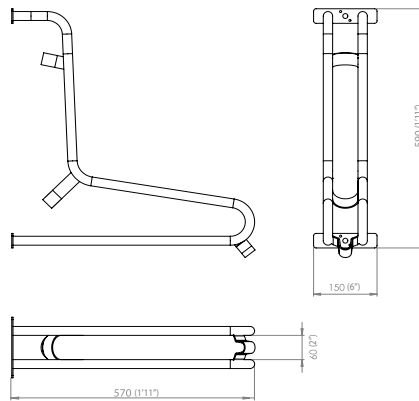
## Designed for bike riders not weight lifters

This rack guides & cradles the front tyre; reducing the lifting effort normally associated with vertical parking. Its unique geometry also prevents damage to rims and spokes. (And yes - you can use your D-lock on it too)

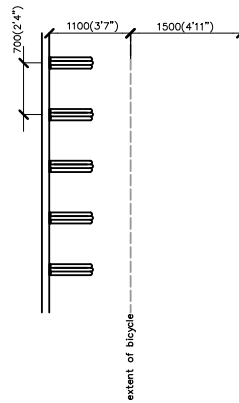
The Cradle has a variety of framing options available.



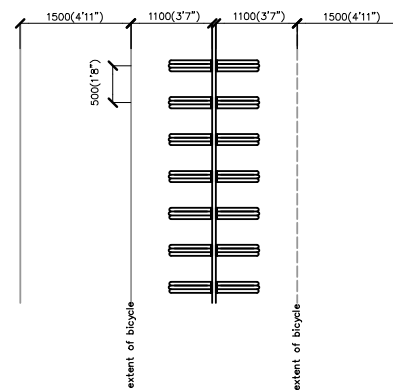
## Dimensions (frame & wall)



Staggered layout



Non-staggered layout



Double sided layout

## Features

Mild Steel

Powder coated finish  
(min qty for custom colour: 20)

Steel frame implemented for area with no existing walls

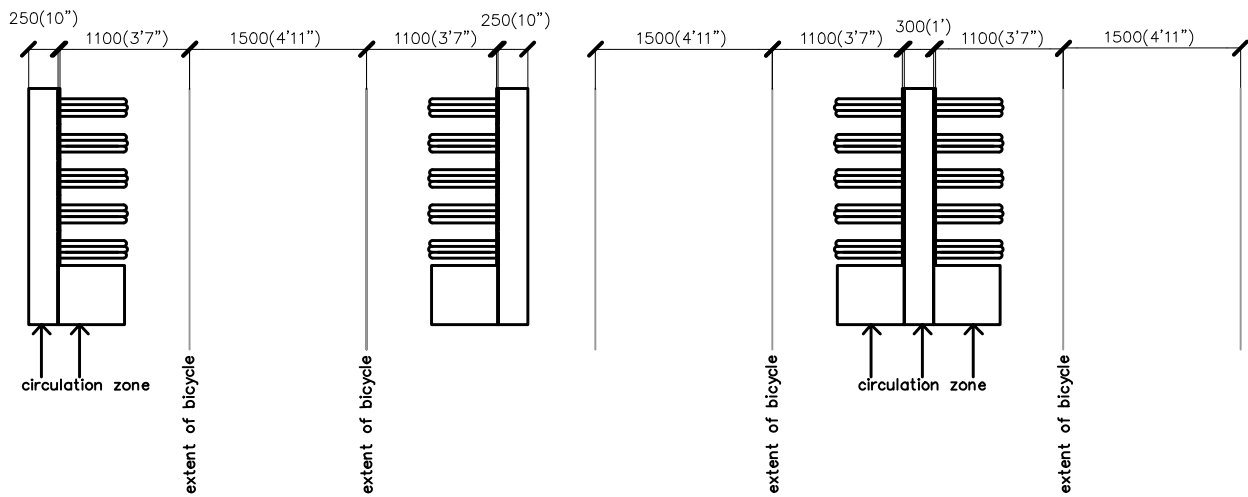
## Specification

Capacity	1 bikes
Min. Ceiling	2250mm (7'5")
Aisle Widths	1900m (6'3") (staggered)
Centre Spacing	1500mm (4'11") (see dimenions)
Lead Time	Ex Stock Sydney





## Dimensions (sliding cradle)



Single sided layout

Double sided layout

## Features

- Mild steel frame
- roller bearings
- Powder coated finish  
(min qty for custom colour: 20)

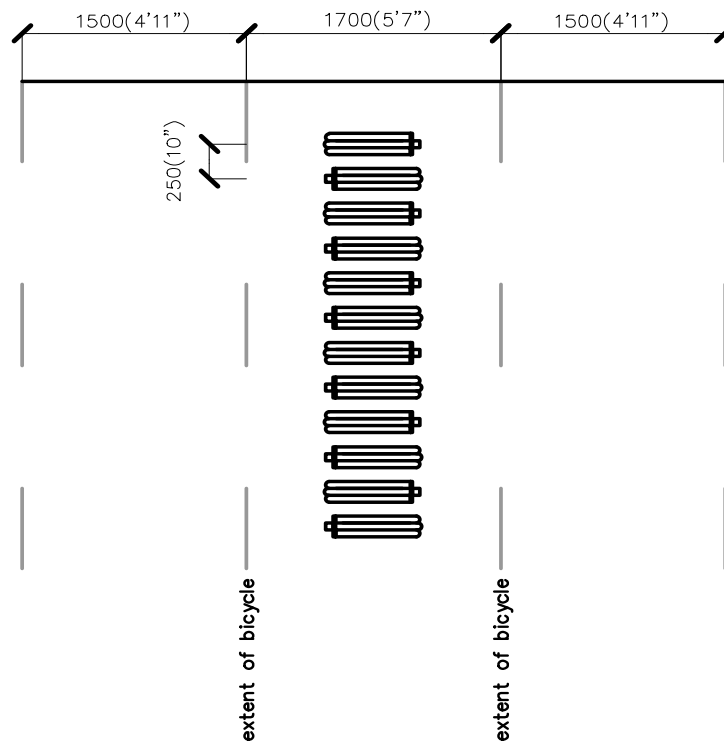
## Specification

Capacity	1 bikes
Min. Ceiling	2250mm (7'5")
Aisle Widths	1900m (6'3") (staggered)
Centre Spacing	1500mm (4'11")
	400mm (1'4")
Lead Time	6 weeks





## Dimensions (silver bullet frame)



### Features

Mild steel frame  
 Powder coated finish  
 (min qty for custom colour: 20)

### Specification

Capacity	1 bikes
Min. Ceiling	2250mm (7'5")
Aisle Widths	1900m (6'3") (staggered)
Centre Spacing	1500mm (4'11")
Lead Time	250mm (10")
AU. Patent No.	6 weeks
Int'l. Patent No.	2015200238
	PCT/AU2016/050026

